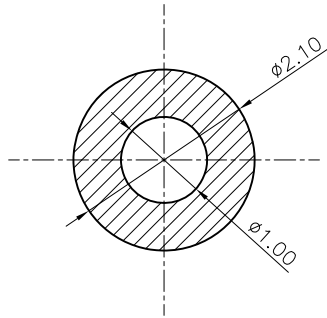
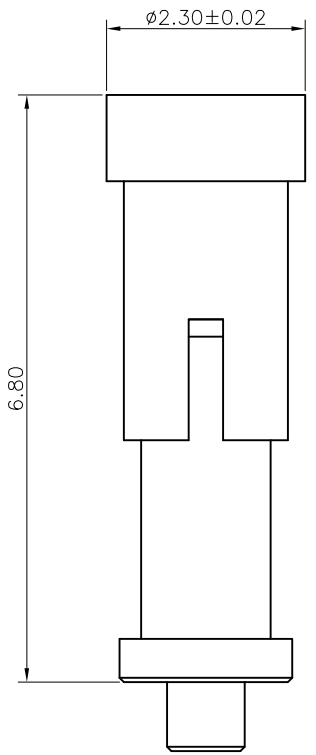
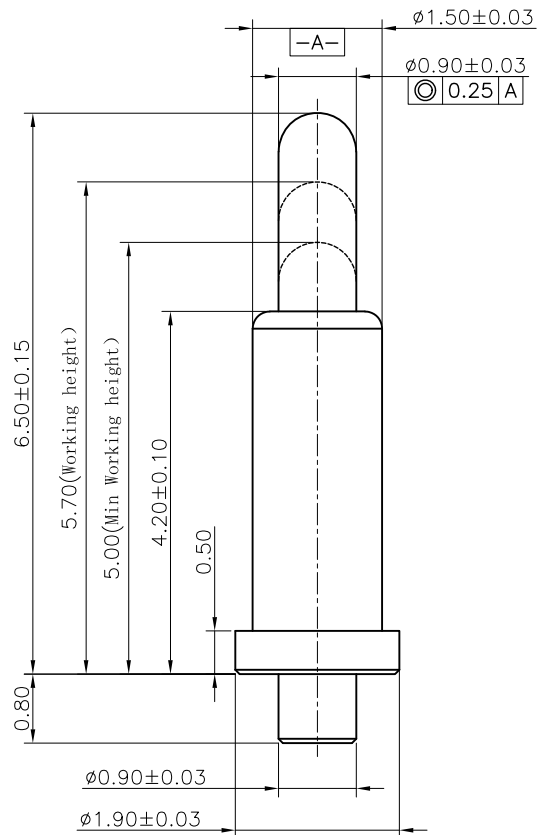


REV.	ECN NO.	Revision record	Date



Recommended PCB Layout

Notes:

- Mechanical performance  
Working Height Force: 45±10gf  
Durability:10000 Cycles
- Electrical performance  
Current rating: 1.0A  
Voltage rating: 36VAC/DC  
Dynamic Resistance:50mOhm Max.
- Environmental performance  
RoHS & HF compliant.  
Salt Spray: 48h Min  
Operating Temperature range: -40°C~+85°C
- Packaging:  
Carrier tape

4	Cap	1	High temp Plast UL94 V-0	Black
3	Body	1	Leaded Brass	Au plating 5u" min over Ni plating 50-100u" min
2	Plunger	1	Leaded Brass	Au plating 5u" min over Ni plating 50-100u" min
1	Spring	1	Stainless steel wire	Au plating 1u" min over Ni plating 50-100u" min
Item	Part Name	Q'TY	Material	Finish

UNLESS OTHERWISE SPECIFIED  
DIMENSION ARE IN MILLIMETERS  
TOLERANCE ARE :  
FRACTION DECIMALS ANGLES

**Shenzhen Chunni Electronics Co. Ltd.**

.X ±0.15 .XX ±0.10 .XXX ±0.05	X' ±2.0° .X' ±1.5° .XX' ±1.0°	DRAWN	Tony	Title:	Pogo PIN
		CHECKED	Tony	Part NO:	CNH15060-0100
Scale: 1:1		APPROVED		Customer NO:	NA
Unit: mm		CONFIDENTIAL		Page:	1/1
				Rev:	02