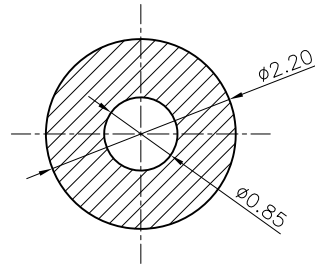
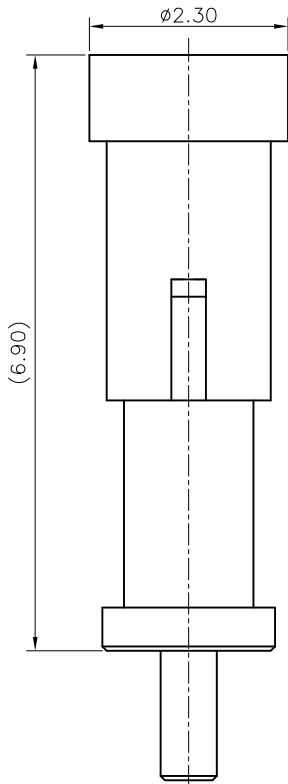
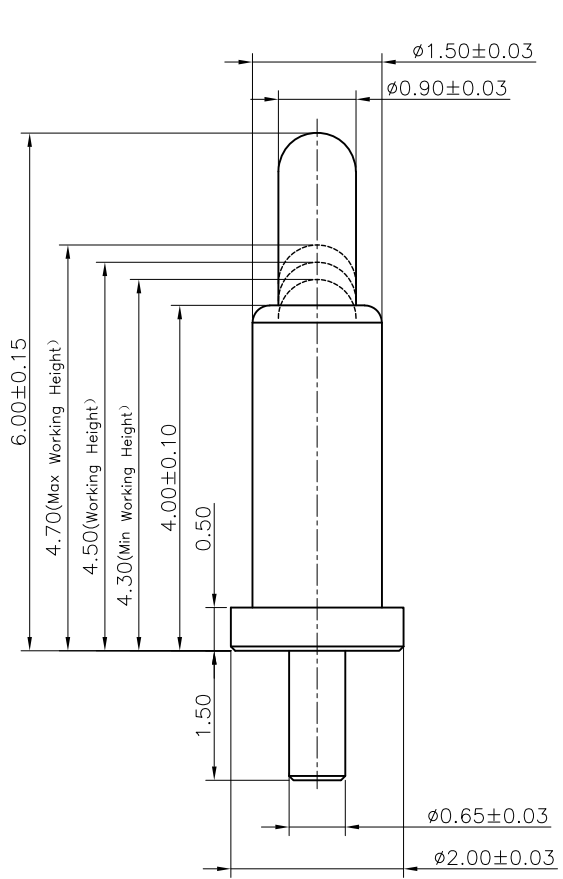


REV.	ECN NO.	Revision record	Date



Recommended
PCB Layout

Notes:

- Mechanical performance
Working Height Force: 40±10gf
Durability:10000 Cycles
- Electrical performance
Current rating: 1.0A
Voltage rating: 36VAC/DC
Dynamic Resistance:100mOhm Max.
- Environmental performance
RoHS & HF compliant.
Salt Spray: 24h Min
Operating Temperature range: -40°C~+85°C
- Packaging:
Carrier tape

4	Cap	1	High temp Plast UL94 V-0	Black
3	Body	1	Leaded Brass	Au plating 3u" min over Ni plating 50-100u" min
2	Plunger	1	Leaded Brass	Au plating 3u" min over Ni plating 50-100u" min
1	Spring	1	Stainless steel wire	-----
Item	Part Name	Q'TY	Material	Finish

UNLESS OTHERWISE SPECIFIED
DIMENSION ARE IN MILLIMETERS
TOLERANCE ARE :
FRACTION DECIMALS ANGLES

Shenzhen Chunni Electronics Co. Ltd.

.X ±0.15 .XX ±0.10 .XXX ±0.05	X' ±2.0' .X' ±1.5' .XX' ±1.0'	DRAWN	Tony	Title:	Pogo PIN
		CHECKED	Tony	Part NO:	CNH15060-0006
Scale: 1:1		APPROVED	Customer NO:		1973
Unit: mm		CONFIDENTIAL		Page:	1/1
				Rev:	01