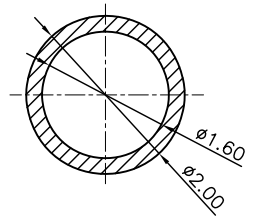
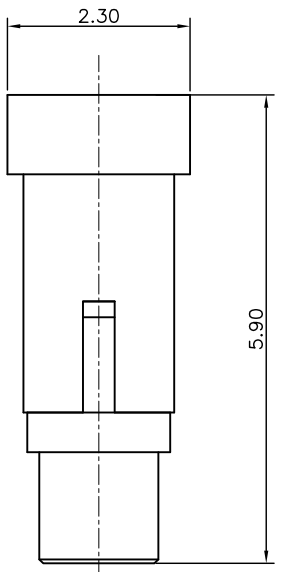
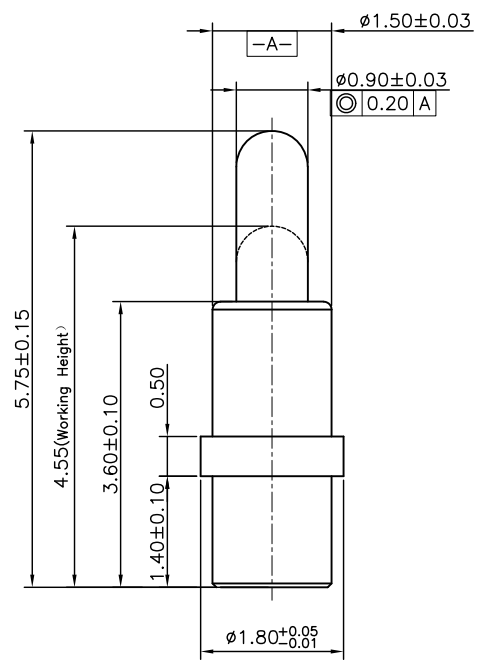


REV.	ECN NO.	Revision record	Date



Recommended PCB Layout

Notes:

- 1 Mechanical performance
Working Height Force: 36±6gf
Durability:10000 Cycles
- 2 Electrical performance
Current rating: 1.0A
Voltage rating: 12VAC/DC
Dynamic Resistance:30mOhm Max.
- 3 Environmental performance
RoHS & HF compliant.
Salt Spray: 48h Min
Operating Temperature range: -40°C~+85°C
- 4 Packaging:
Carrier tape

4	CAP	1	High temp Plast UL94 V-0	Black
3	Body	1	Lead-free Brass	Au plating 10u" min over Ni plating 50-100u" min
2	Plunger	1	Lead-free Brass	Au plating 10u" min over Ni plating 50-100u" min
1	Spring	1	Stainless steel wire	-----
Item	Part Name	Q'TY	Material	Finish

UNLESS OTHERWISE SPECIFIED
DIMENSION ARE IN MILLIMETERS
TOLERANCE ARE :
FRACTION DECIMALS ANGLES

Shenzhen Chunni Electronics Co. Ltd.

.X ±0.15 .XX ±0.10 .XXX ±0.05	X' ±2.0° .X' ±1.5° .XX' ±1.0°	DRAWN	Adrew	Title:	Pogo PIN
		CHECKED	Adrew	Part NO:	CNH15057-0094
		APPROVED		Customer NO:	EPA101
Unit: mm	Scale: 1:1	CONFIDENTIAL		Page:	1/1
				Rev:	01