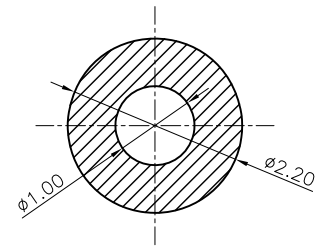
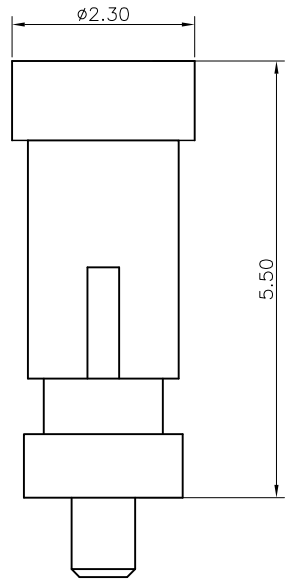
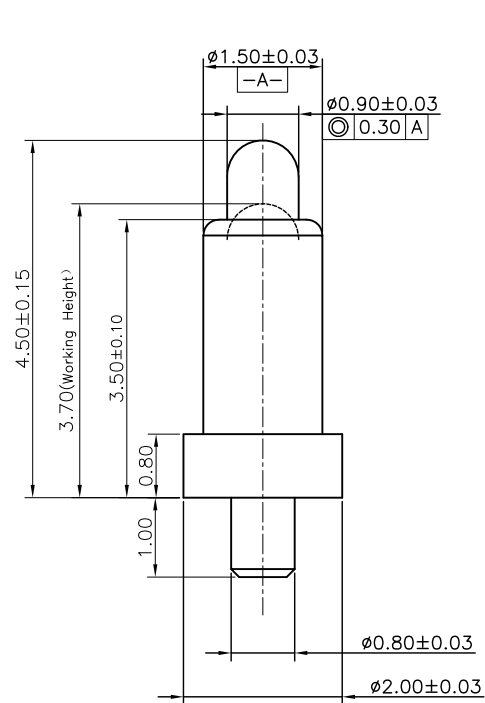


| | | | |
|------|---------|-----------------|------|
| REV. | ECN NO. | Revision record | Date |
| | | | |
| | | | |



Recommended PCB Layout

Notes:

- 1 Mechanical performance
Working Height Force: 60±20gf
Durability:10000 Cycles
- 2 Electrical performance
Current rating: 2.0A
Voltage rating: 12VAC/DC
Dynamic Resistance:100mOhm Max.
- 3 Environmental performance
RoHS & HF compliant.
Salt Spray: 48h Min
Operating Temperature range: -40°C~+85°C
- 4 Packaging:
Carrier tape

| | | | | |
|------|-----------|------|--------------------------|--|
| 4 | CAP | 1 | High temp Plast UL94 V-0 | Black |
| 3 | Body | 1 | Leaded Brass | Au plating 3u" min over Ni plating 50-150u" min |
| 2 | Plunger | 1 | Leaded Brass | Au plating 3u" min over Ni plating 50-150u" min |
| 1 | Spring | 1 | Stainless steel wire | ---- |
| Item | Part Name | Q'TY | Material | Finish |

UNLESS OTHERWISE SPECIFIED
DIMENSION ARE IN MILLIMETERS
TOLERANCE ARE :
FRACTION DECIMALS ANGLES

Shenzhen Chunni Electronics Co. Ltd.

| | | | | | |
|-------------------------------------|-------------------------------------|--------------|-------|--------------|---------------|
| .X ±0.15 .XX ±0.10 .XXX ±0.05 | X' ±2.0' .X' ±1.5' .XX' ±1.0' | DRAWN | Adrew | Title: | Pogo PIN |
| | | CHECKED | Adrew | Part NO: | CNH15045-0108 |
| | | APPROVED | | Customer NO: | NA |
| | Scale: 1:1 | CONFIDENTIAL | | Page: | 1/1 |
| | Unit: mm | | | Rev: | 01 |