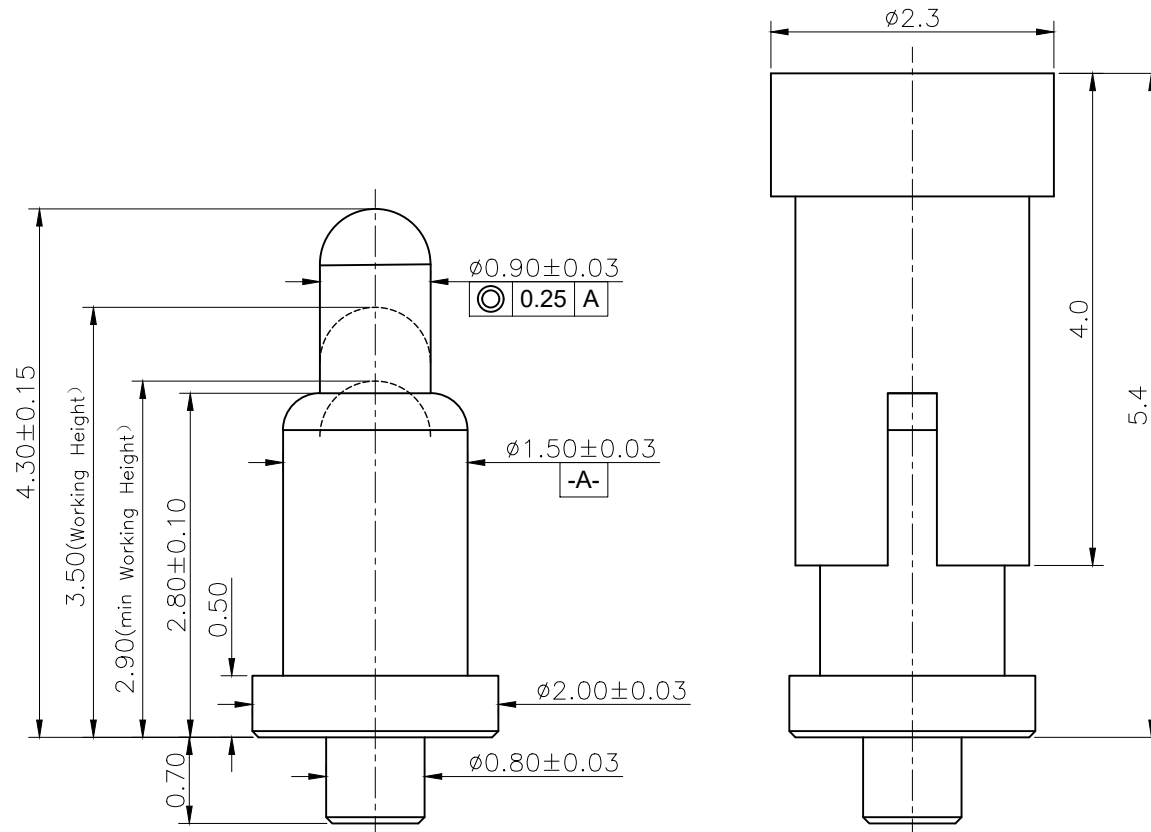


REV.	ECN NO.	REVISION RECORD	DATE
01	NA	NA	20201112



NOTE:

1.Electrical:

- 1.1 Rated voltage:AC/DC12V.
- 1.2 Rated current:1A Max.
- 1.3 Contact resistance: 50 mohm maximum at working height(quiescence)

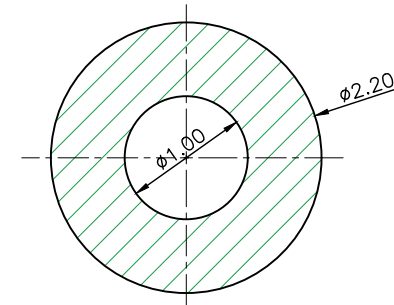
2.Mechanical:

- 2.1 Force:25±10gf at Normal Working Height
- 2.2 Durability:10,000 cycles (minimum)

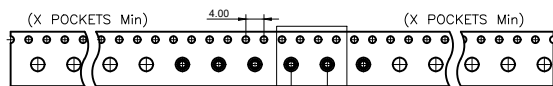
3.Environment:

- 3.1 Temperature range: -20 to 85 degrees
- 3.2 Salt Spray: 48h Min
- 3.3 Wave solder:The temperature of the solder shall be 260±5 °c and immersion duration 5s.
- 3.4 RoHS & HF compliant.

- 4.Please operate it based on the working height Based on the engineering drawings,shall not exceed the maximum allowed compression



Recommended PCB Layout



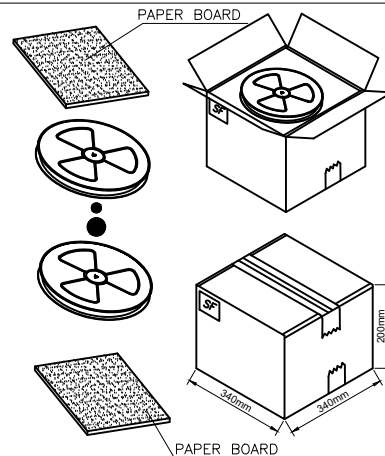
SEE DETAIL X

PEELING DIRECTION

PEELING ANGLE

PULL OUT DIRECTION

LABEL



4	CAP	1	High temp Plast	Black,UL94 V-0
3	Body	1	Leaded free Brass	Au plating 5u" min over all NI plating 50-100u" min
2	Plunger	1	Leaded free Brass	Au plating 5" min over all NI plating 50-100u" min
1	Spring	1	Stainless steel wire	-----
Item	Part Name	Q'TY	Material	Finish

UNLESS OTHERWISE SPECIFIED
DIMENSION ARE IN MILLIMETERS
TOLERANCE ARE :
FRACTION DECIMALS ANGLES

.X	±0.15	X.*	±8°
.XX	±0.10	.X*	±5.0°
.XXX	±0.05	.XX*	±2.0°



Scale: 1:1
Unit: mm

Shenzhen Chunni Electronics Co. Ltd.

DRAWN	Mike	TITLE: POGO PIN	
CHECKED		PART NO: CNH15043-A05R-00224	
APPROVED		DRAWING NO: CNH00224R	
CONFIDENTIAL		Page: 1/1	Rev: 01