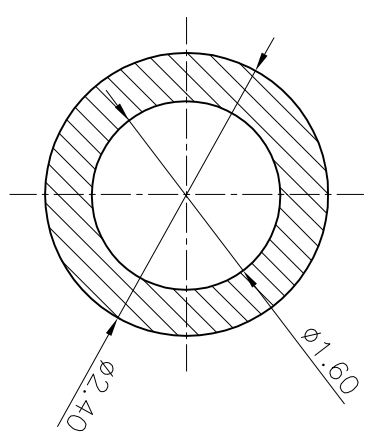
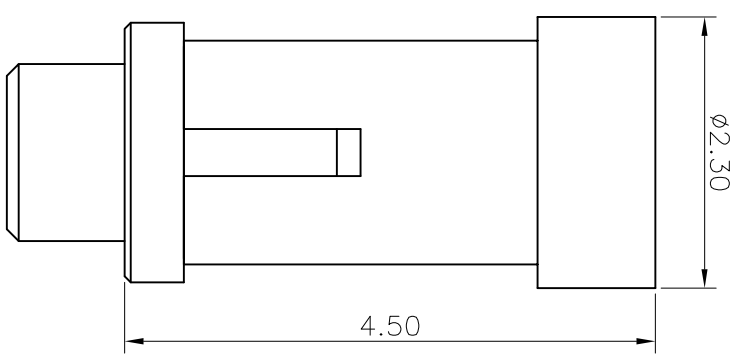
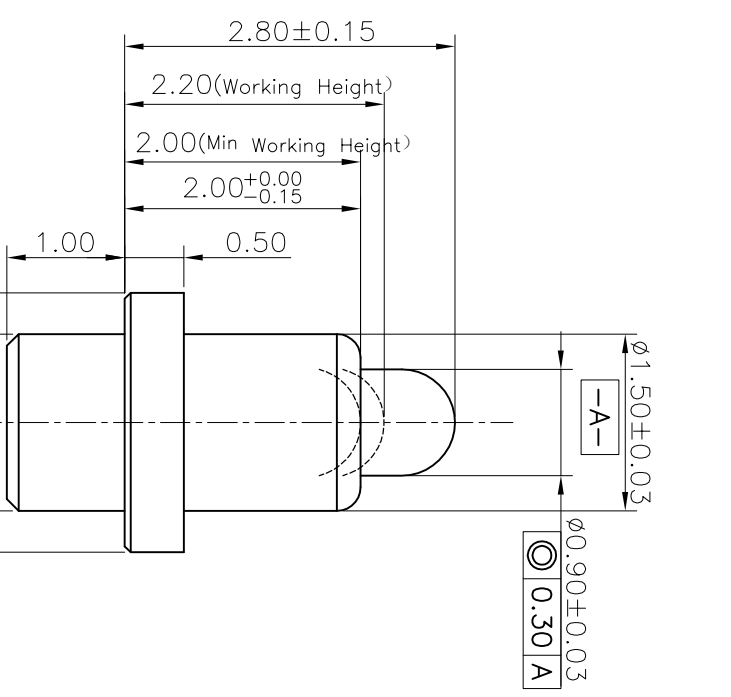


REV.	ECN NO.	Revision record	Date



Recommended PCB Layout

Notes:

- Mechanical performance
Working Height Force: 30±10gf
Durability:10000 Cycles
- Electrical performance
Current rating:1.0A
Voltage rating: 12VAC/DC
Dynamic Resistance:50mOhm Max.
- Environmental performance
RoHS & HF compliant.
Salt Spray: 24h Min
Operating Temperature range: -40°C~+85°C
- Packaging:
Carrier tape

Item	Part Name	Q'TY	Material	Finish
4	CAP	1	High temp Plast UL94 V-0	Black
3	Body	1	Lead-Free Brass	Au plating 5u" min over Ni plating 50-100u" min
2	Plunger	1	Lead-Free Brass	Au plating 10u" min over Ni plating 50-100u" min
1	Spring	1	Stainless steel wire	NA

UNLESS OTHERWISE SPECIFIED
DIMENSION ARE IN MILLIMETERS
TOLERANCE ARE :
FRACTION DECIMALS ANGLES

Shenzhen Chunni Electronics Co. Ltd.

X: ±0.15 .XX ±0.10 .XXX ±0.05		X: ±2.0° .X: ±1.5° .XX: ±1.0°		DRAWN		Adrew		Title:	
Scale: 1:1		Unit: mm		CHECKED		Adrew		Part NO: CNH115040-0058	
CONFIDENTIAL		APPROVED		Customer NO: NA		Pogo PIN		Page: 1/1	
								Rev: 01	