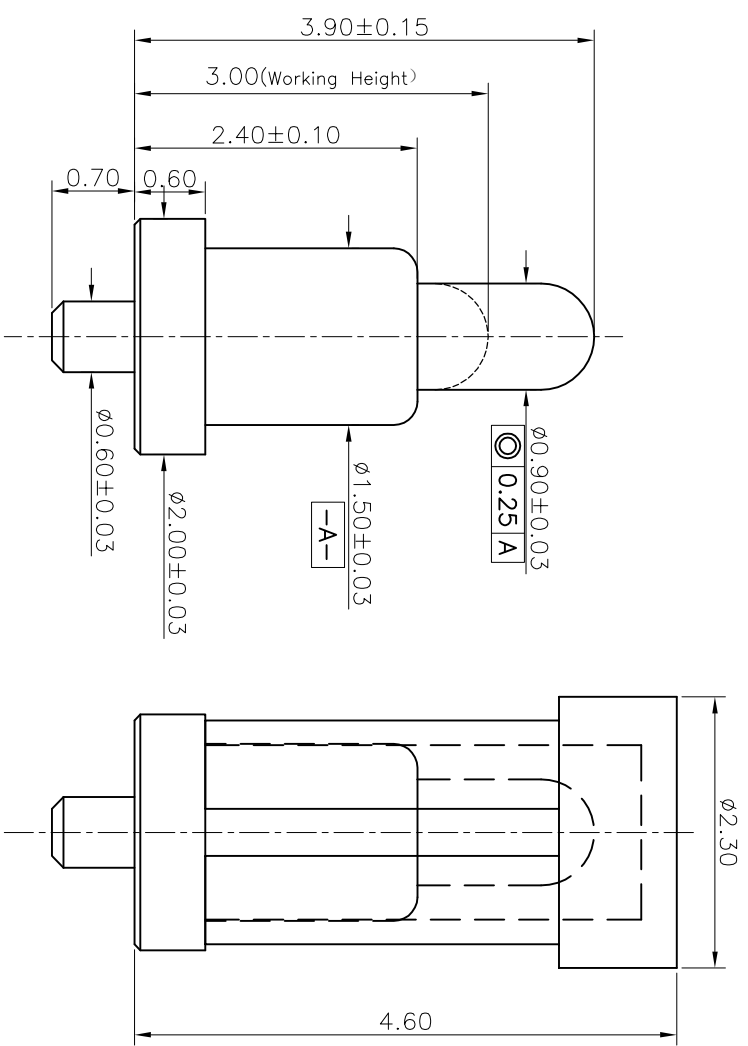
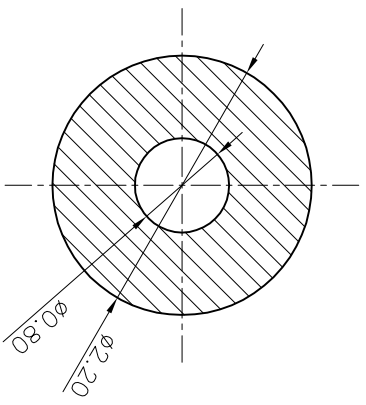


REV.	ECN NO.	Revision record	Date



Recommended PCB Layout



- Notes:
- Mechanical performance
Working Height Force: 30±10gf
Durability:10000 Cycles
 - Electrical performance
Current rating:1.0A
Voltage rating: 12VAC/DC
Dynamic Resistance:100mOhm Max.
 - Environmental performance
RoHS & HF compliant.
Salt Spray: 48h Min
Operating Temperature range: -40°C~+85°C
 - Packaging:
Carrier tape

Item	Part Name	Q'TY	Material	Finish
4	CAP	1	High temp Plast UL94 V-0	Black
3	Body	1	Leaded-free-Brass	Au plating 10u" min over Ni plating 50-100u" min
2	Plunger	1	Leaded-free-Brass	Au plating 10u" min over Ni plating 50-100u" min
1	Spring	1	Stainless steel wire	Au plating 1u" min over Ni plating 50-100u" min

UNLESS OTHERWISE SPECIFIED
DIMENSION ARE IN MILLIMETERS
TOLERANCE ARE :
FRACTION DECIMALS ANGLES

Shenzhen Chunni Electronics Co. Ltd.

DRAWN		Title:	
X: ±0.15	X: ±2.0°	Adrew	Pogo PIN
.XX ±0.10	.XX ±1.5°	Adrew	Part NO: CNH15039-0143
.XXX ±0.05	.XX ±1.0°	APPROVED	Customer NO: NA
Scale: 1:1	Unit: mm	CONFIDENTIAL	Page: 1/1
			Rev: 01