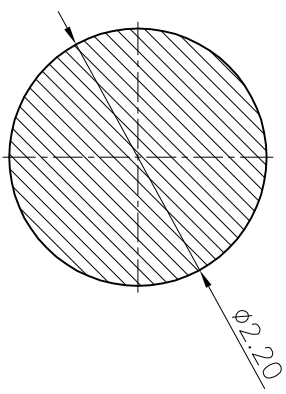
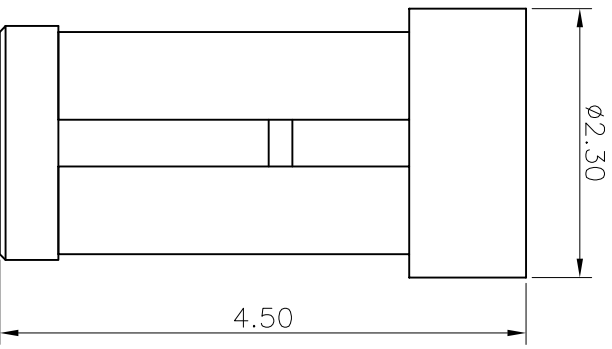
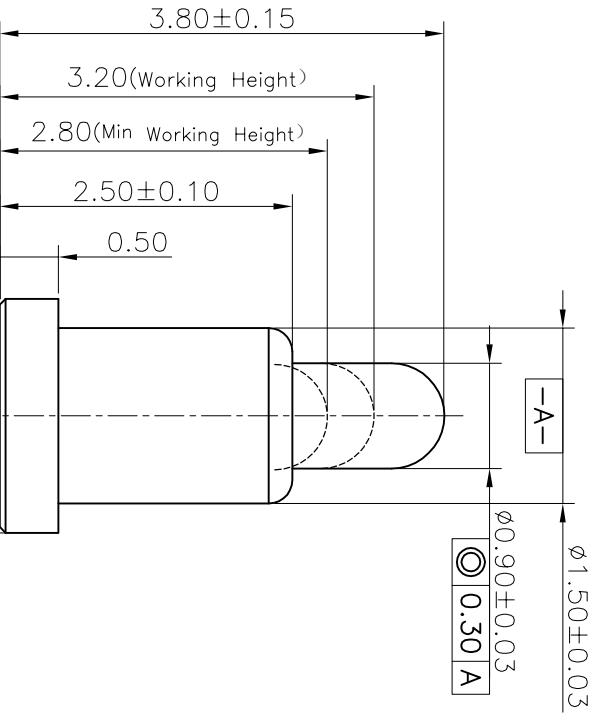


REV.	ECN NO.	Revision record	Date



Recommended PCB Layout

Notes:

- Mechanical performance
Working Height Force: 100±20gf
Durability:10000 Cycles
- Electrical performance
Current rating: 1.0A
Voltage rating: 12VAC/DC
Dynamic Resistance:100mOhm Max.
- Environmental performance
RoHS & HF compliant.
Salt Spray: 48h Min
Operating Temperature range: -40°C~+85°C
- Packaging:
Carrier tape

Item	Part Name	Q'TY	Material	Finish
4	CAP	1	High temp Plast UL94 V-0	Black
3	Body	1	Lead-free Brass	Au plating 3u" min over Ni plating 50-100u" min
2	Plunger	1	Lead-free Brass	Au plating 3u" min over Ni plating 50-100u" min
1	Spring	1	Stainless steel wire	-----

UNLESS OTHERWISE SPECIFIED DIMENSION ARE IN MILLIMETERS TOLERANCE ARE : FRACTION DECIMALS ANGLES			
X: ±0.15 .XX: ±0.10 .XXX: ±0.05	X': ±2.0° .X': ±1.5° .XX: ±1.0°	<h2 style="text-align: center;">Shenzhen Chunni Electronics Co. Ltd.</h2>	
Scale: 1:1	Unit: mm		
DRAWN	Adrew	Title:	Pogo PIN
CHECKED	Adrew	Part NO:	CNH115038-0091
APPROVED		Customer NO:	NA

CONFIDENTIAL			
Page:	1/1	Rev:	01