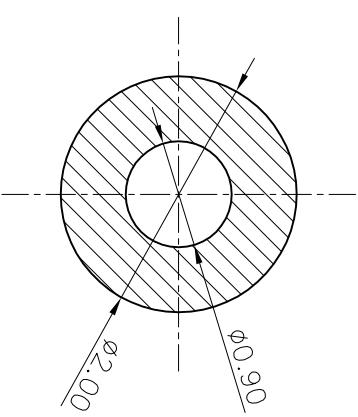
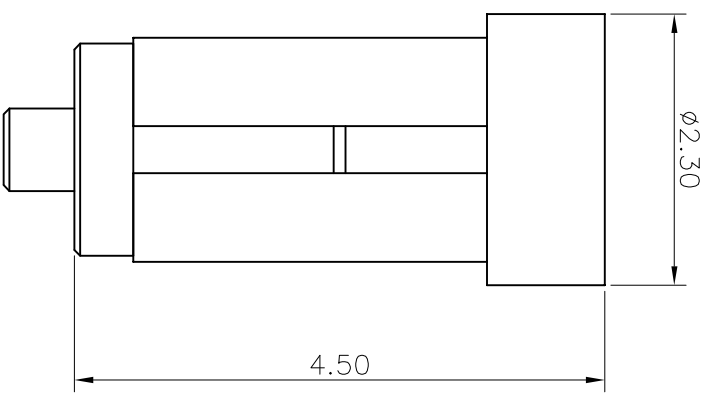
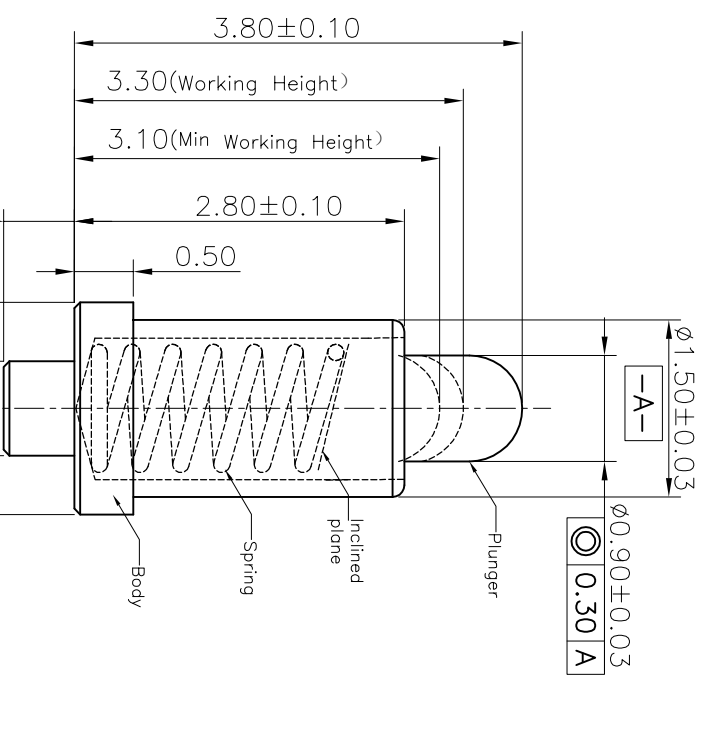
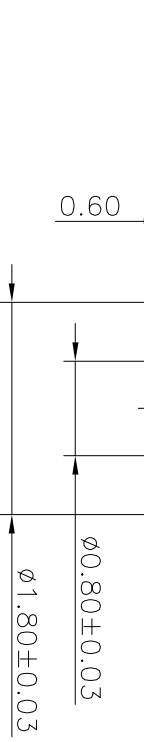


REV.	ECN NO.	Revision record	Date



Recommended PCB Layout



- Notes:
- Mechanical performance  
Working Height Force: 60±10gf  
Durability:10000 Cycles
  - Electrical performance  
Current rating: 2.0A  
Voltage rating: 12VAC/DC  
Dynamic Resistance:50mOhm Max.
  - Environmental performance  
RoHS & HF compliant.  
Salt Spray: 24h Min  
Operating Temperature range: -40°C~+85°C
  - Packaging:  
Carrier tape

Item	Part Name	Q'TY	Material	Finish
4	CAP	1	High temp Plast UL94 V-0	Black
3	Body	1	Leaded Brass	Au plating 5u" min over Ni plating 50-100u" min
2	Plunger	1	Leaded Brass	Au plating 15u" min over Ni plating 50-100u" min
1	Spring	1	Stainless steel wire	Au plating 5u" min over Ni plating 50-100u" min

UNLESS OTHERWISE SPECIFIED  
DIMENSION ARE IN MILLIMETERS  
TOLERANCE ARE :  
FRACTION DECIMALS ANGLES

**Shenzhen Chunni Electronics Co. Ltd.**

DRAWN	Adrew	Title:	Pogo PIN
CHECKED	Adrew	Part NO:	CNH115038-0054
APPROVED		Customer NO:	NA

Scale:	1:1	Unit:	mm	Page:	1/1	Rev:	01
CONFIDENTIAL							