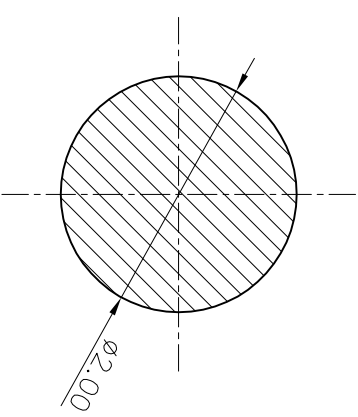
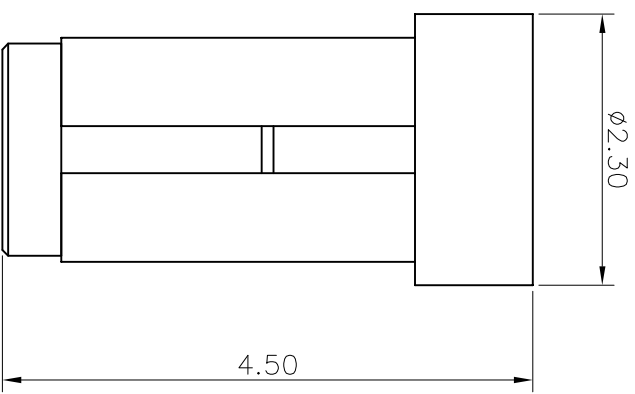
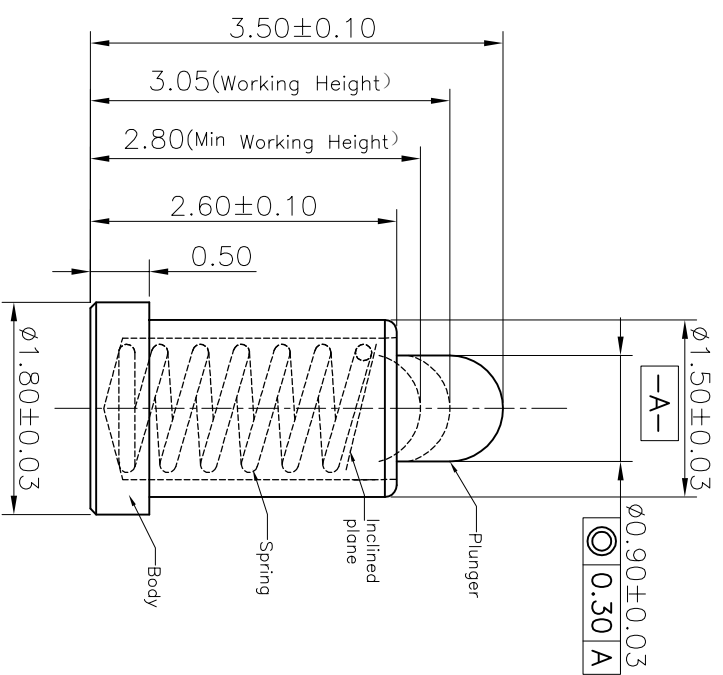


REV.	ECN NO.	Revision record	Date



Recommended PCB Layout

- Notes:
- Mechanical performance
Working Height Force: 60±15gf
Durability:10000 Cycles
 - Electrical performance
Current rating: 2.0A
Voltage rating: 12VAC/DC
Dynamic Resistance:50mOhm Max.
 - Environmental performance
RoHS & HF compliant.
Salt Spray: 24h Min
Operating Temperature range: -40°C~+85°C
 - Packaging:
Carrier tape

Item	Part Name	Q'TY	Material	Finish
4	CAP	1	High temp Plast UL94 V-0	Black
3	Body	1	Leaded Brass	Au plating 5u" min over Ni plating 50-100u" min
2	Plunger	1	Leaded Brass	Au plating 15u" min over Ni plating 50-100u" min
1	Spring	1	Stainless steel wire	Au plating 1u" min over Ni plating 50-100u" min

UNLESS OTHERWISE SPECIFIED
DIMENSION ARE IN MILLIMETERS
TOLERANCE ARE :
FRACTION DECIMALS ANGLES

Shenzhen Chunni Electronics Co. Ltd.

X: ±0.15 .XX: ±0.10 .XXX: ±0.05	X': ±2.0° .X': ±1.5° .XX: ±1.0°	DRAWN	Adrew	Title:	Pogo PIN
		CHECKED	Adrew	Part NO:	CNH115035-0085
		APPROVED		Customer NO:	NA

Unit: mm	Scale: 1:1	CONFIDENTIAL	Page: 1/1	Rev: 01
----------	------------	--------------	-----------	---------