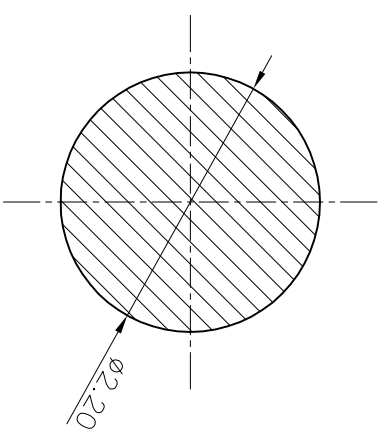
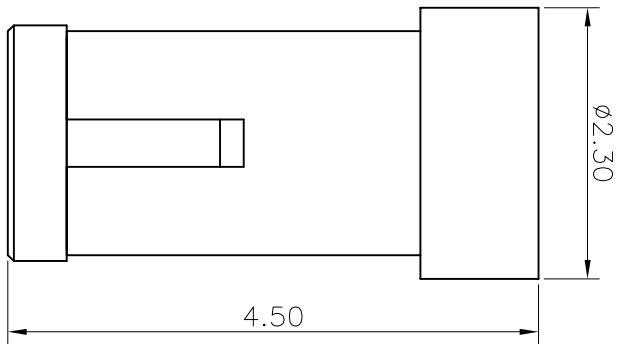
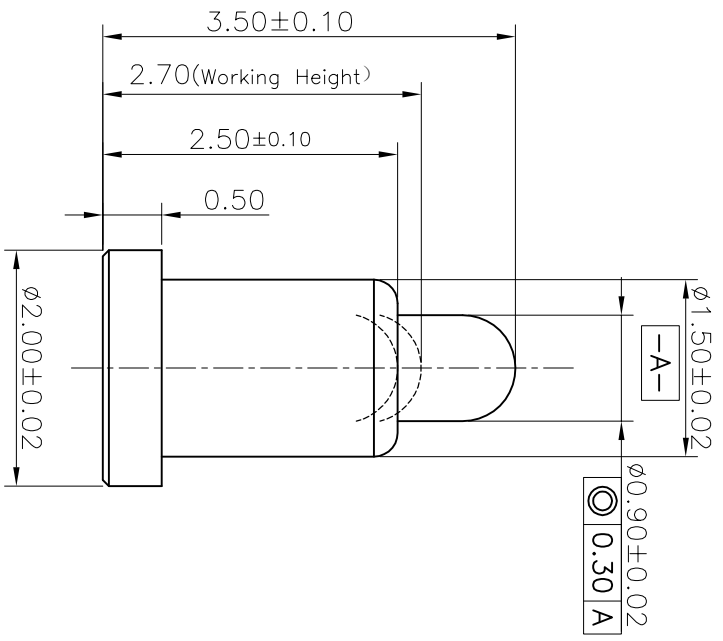


REV.	ECN NO.	Revision record	Date



Recommended PCB Layout



Item	Part Name	Q'TY	Material	Finish
4	CAP	1	High temp Plast UL94 V-0	Black
3	Body	1	Lead-Free Brass	Au plating 3u" min over Ni plating 50-100u" min
2	Plunger	1	Lead-Free Brass	Au plating 10u" min over Ni plating 50-100u" min
1	Spring	1	Stainless steel wire	Au plating 3u" min over Ni plating 50-100u" min

UNLESS OTHERWISE SPECIFIED DIMENSIONS ARE IN MILLIMETERS TOLERANCE ARE : FRACTION DECIMALS ANGLES			
X: +0.15 .XX: +0.10 .XXX: ±0.05	X': ±2.0° .X': ±1.5° .XX': ±1.0°	<b>Shenzhen Chunni Electronics Co. Ltd.</b> DRAWN: Adrew    Title: Pogo PIN CHECKED: Adrew    Part NO: CNH115035-0077 APPROVED:    Customer NO: 5067	
Scale: 1:1			

- Notes:
- Mechanical performance  
Working Height Force: 35±10gf  
Durability:10000 Cycles
  - Electrical performance  
Current rating:1.0A  
Voltage rating: 12VAC/DC  
Dynamic Resistance:100mOhm Max.
  - Environmental performance  
RoHS & HF compliant.  
Salt Spray: 48h Min  
Operating Temperature range: -40°C~+85°C
  - Packaging:  
Carrier tape

Unit: mm		CONFIDENTIAL		Page: 1/1	Rev: 01
----------	--	--------------	--	-----------	---------