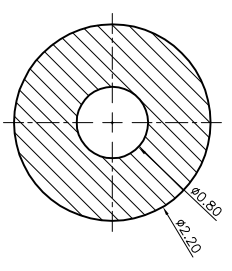
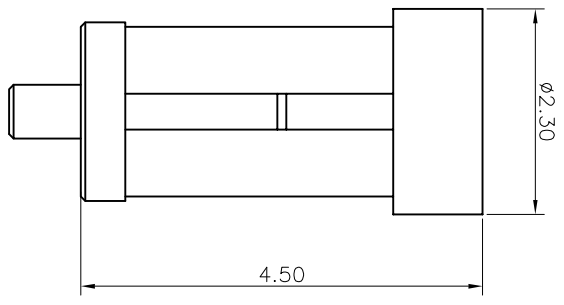
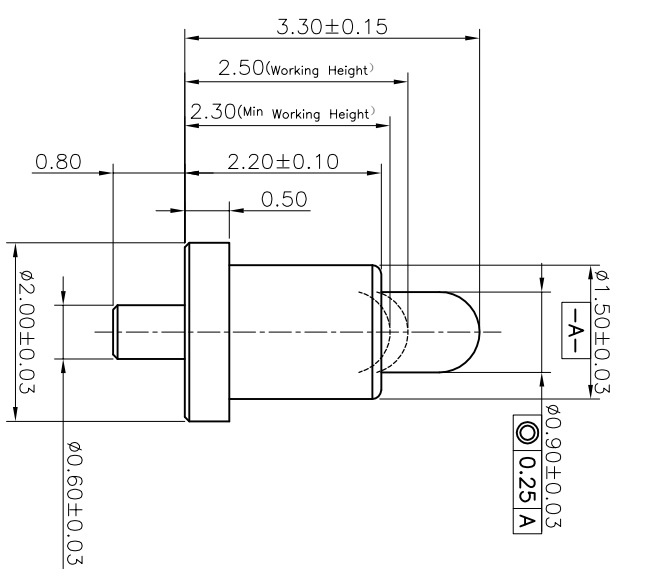


REV.	ECN NO.	Revision record	Date



Recommended PCB Layout

- Notes:
- Mechanical performance
Working Height Force: 25±10gf
Durability:50000 Cycles
 - Electrical performance
Current rating: 0.5A
Voltage rating: 12VAC/DC
Dynamic Resistance:100mOhm Max.
 - Environmental performance
RoHS & HF compliant.
Salt Spray: 48h Min
Operating Temperature range: -40°C~+85°C
 - Packaging:
Carrier tape

Item	Part Name	Q'TY	Material	Finish
4	CAP	1	High temp Plast UL94 V-0	Black
3	Body	1	Leaded free Brass	Au plating 5u" min over Ni plating 50-100u" min
2	Plunger	1	Leaded free Brass	Au plating 5u" min over Ni plating 50-100u" min
1	Spring	1	Stainless steel wire	NA

UNLESS OTHERWISE SPECIFIED
DIMENSION ARE IN MILLIMETERS
FRACTION DECIMALS ANGLES

Shenzhen Chunni Electronics Co. Ltd.

X: ±0.15 .XX ±0.10 .XXX ±0.05		X': ±2.0' .X': ±1.5' .XX' ±1.0'		DRAWN		Adrew		Title:		Pogo PIN	
Scale: 1:1		APPROVED		CHECKED		Adrew		Part NO:		CNH115033-0067	
Unit: mm		CONFIDENTIAL		APPROVED		Customer NO:		Page:		1/1	
								Rev:		01	