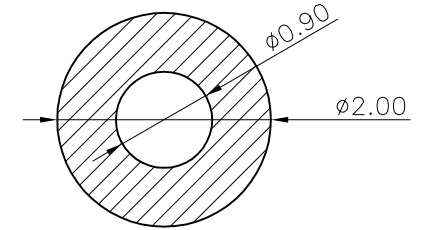
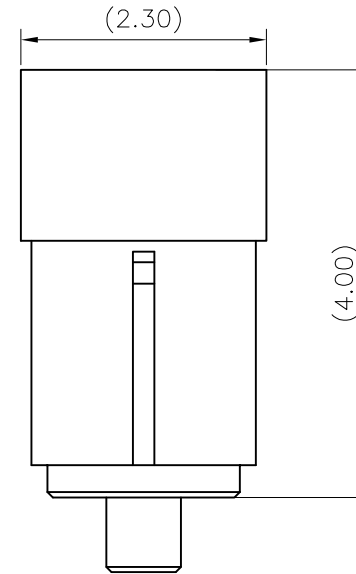
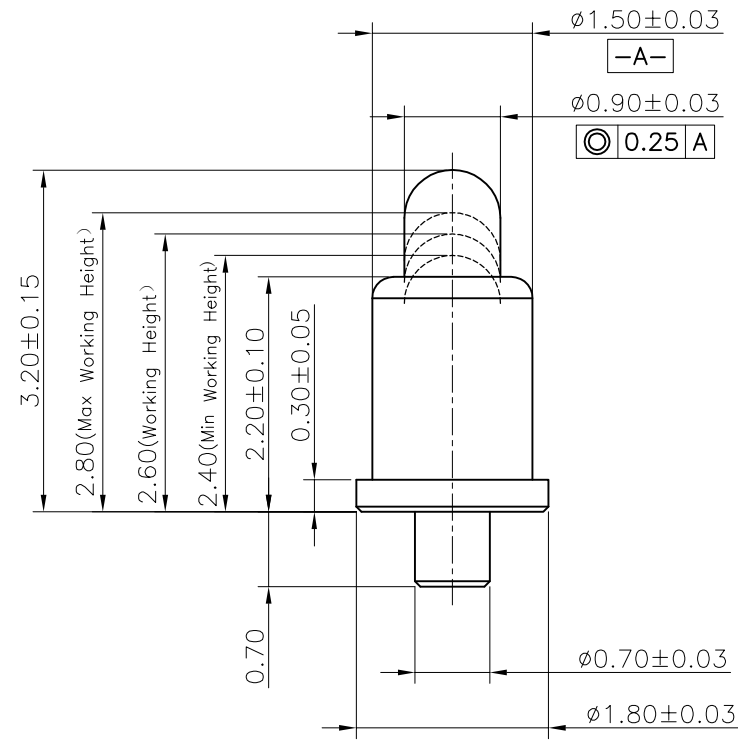


REV.	ECN NO.	Revision record	Date



Recommended  
PCB Layout

Notes:

- Mechanical performance  
Working Height Force:  $80 \pm 20$ gf  
Durability: 10000 Cycles
- Electrical performance  
Current rating: 1.0A  
Voltage rating: 36VAC/DC  
Dynamic Resistance: 100mOhm Max.
- Environmental performance  
RoHS & HF compliant.  
Salt Spray: 24h Min  
Operating Temperature range:  $-40^{\circ}\text{C} \sim +85^{\circ}\text{C}$
- Packaging:  
Carrier tape

4	Cap	1	High temp Plast UL94 V-0	Black
3	Body	1	Leaded Brass	Au plating 5u" min over Ni plating 50-100u" min
2	Plunger	1	Leaded Brass	Au plating 20u" min over Ni plating 50-100u" min
1	Spring	1	Stainless steel wire	-----
Item	Part Name	Q'TY	Material	Finish

UNLESS OTHERWISE SPECIFIED DIMENSION ARE IN MILLIMETERS TOLERANCE ARE : FRACTION DECIMALS ANGLES		<b>Shenzhen Chunni Electronics Co. Ltd.</b>		
.X $\pm 0.15$ .XX $\pm 0.10$ .XXX $\pm 0.05$	X' $\pm 2.0^{\circ}$ .X' $\pm 1.5^{\circ}$ .XX' $\pm 1.0^{\circ}$	DRAWN	Tony	Title: Pogo PIN
		CHECKED	Tony	Part NO: CNH15032-0003
		APPROVED		Customer NO: TWSH31 KTT32020U001-R
	Scale: 1:1	CONFIDENTIAL		Page: 1/1
	Unit: mm			Rev: 01