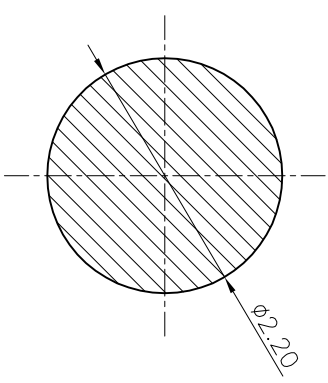
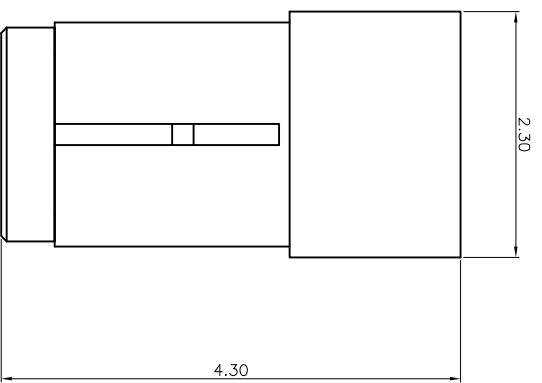
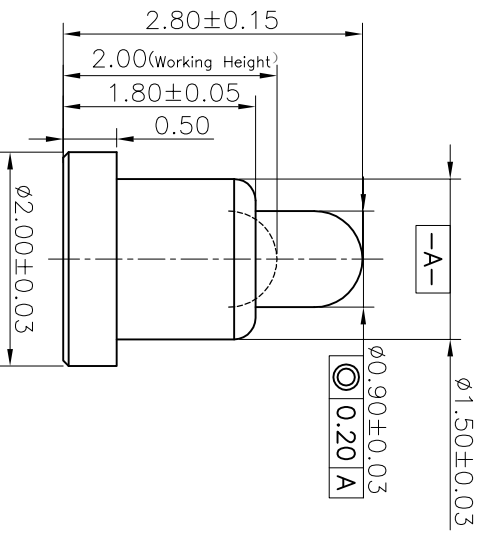


REV.	ECN NO.	Revision record	Date



Recommended  
PCB Layout

- Notes:
- Mechanical performance  
Working Height Force: 70±15gf  
Durability:10000 Cycles
  - Electrical performance  
Current rating: 1A  
Voltage rating: 12VAC/DC  
Dynamic Resistance:100mOhm Max.
  - Environmental performance  
RoHS & HF compliant.  
Salt Spray: 96h Min  
Operating Temperature range: -40°C~+85°C
  - Packaging:  
Carrier tape

Item	Part Name	Q'TY	Material	Finish
4	Cap	1	High temp Plast UL94 V-0	Black
3	Body	1	Lead-free-Bronss	Au plating 10u" min over Ni plating 50-100u" min
2	Plunger	1	Leaded-free-Bronss	Au plating 10u" min over Ni plating 50-100u" min
1	Spring	1	Stainless steel wire	-----

UNLESS OTHERWISE SPECIFIED  
DIMENSION ARE IN MILLIMETERS  
TOLERANCE ARE :  
FRACTION DECIMALS ANGLES

**Shenzhen Chunni Electronics Co. Ltd.**

Scale: 1:1	APPROVED	Customer NO:	BT 1210
Unit: mm	CONFIDENTIAL	Page: 1/1	Rev: 01

Unit: mm	Scale: 1:1	APPROVED	Customer NO:	BT 1210

UNLESS OTHERWISE SPECIFIED  
DIMENSION ARE IN MILLIMETERS  
TOLERANCE ARE :  
FRACTION DECIMALS ANGLES

**Shenzhen Chunni Electronics Co. Ltd.**

Scale: 1:1	APPROVED	Customer NO:	BT 1210
Unit: mm	CONFIDENTIAL	Page: 1/1	Rev: 01

Unit: mm	Scale: 1:1	APPROVED	Customer NO:	BT 1210