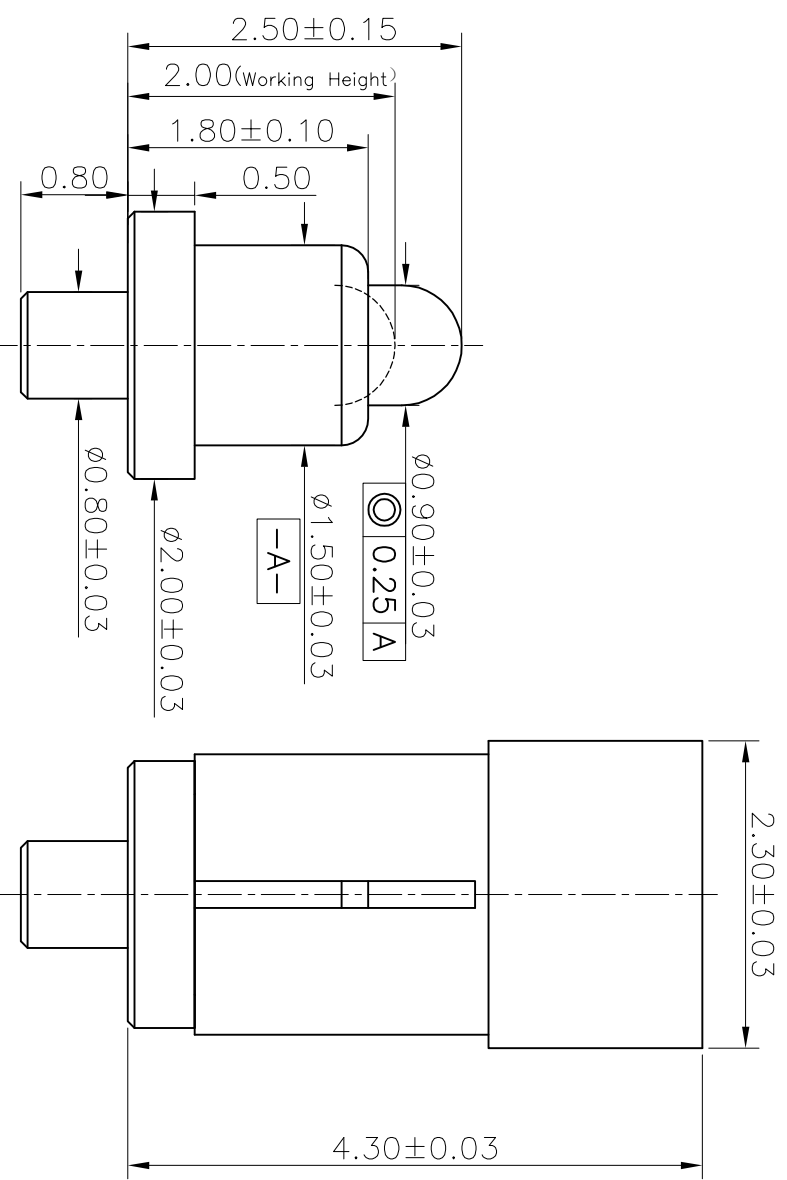
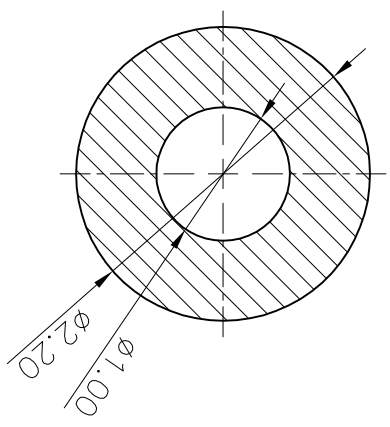


REV.	ECN NO.	Revision record	Date



Recommended PCB Layout



- Notes:
- Mechanical performance
Working Height Force: 60±15gf
Durability:10000 Cycles
 - Electrical performance
Current rating: 1A
Voltage rating: 12VAC/DC
Dynamic Resistance:100mOhm Max.
 - Environmental performance
RoHS & HF compliant.
Salt Spray: 96h Min
Operating Temperature range: -40°C~+85°C
 - Packaging:
Carrier tape

Item	Part Name	Q'TY	Material	Finish
4	Cap	1	High temp Plast UL94 V-0	Black
3	Body	1	Leaded-free-Brass	Au plating 10u" min over Ni plating 50-100u" min
2	Plunger	1	Leaded-free-Brass	Au plating 10u" min over Ni plating 50-100u" min
1	Spring	1	Stainless steel wire	-----

UNLESS OTHERWISE SPECIFIED
DIMENSION ARE IN MILLIMETERS
FRACTION DECIMALS ANGLES

Shenzhen Chunni Electronics Co. Ltd.

X: ±0.15 .XX ±0.10 .XXX ±0.05	X: ±2.0° .X: ±1.5° .XX: ±1.0°	DRAWN	MIKE	Title:	Pogo PIN
Scale: 1:1	CHECKED	APPROVED	Tony	Part NO:	CNH115025-0130
Unit: mm	CONFIDENTIAL	Customer NO:	SY06	Page:	1/1
				Rev:	01