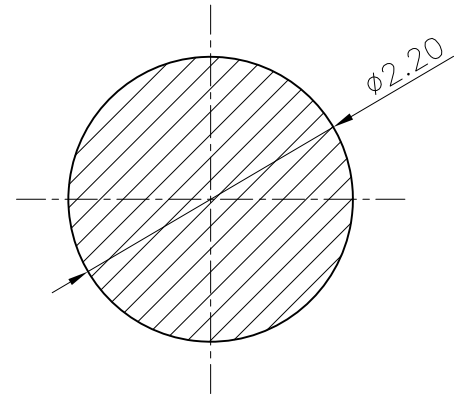
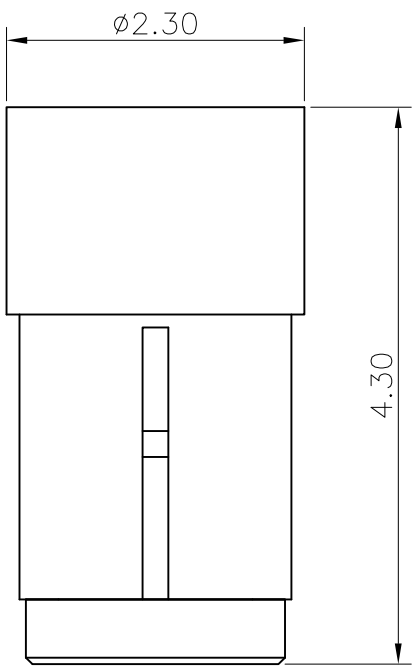
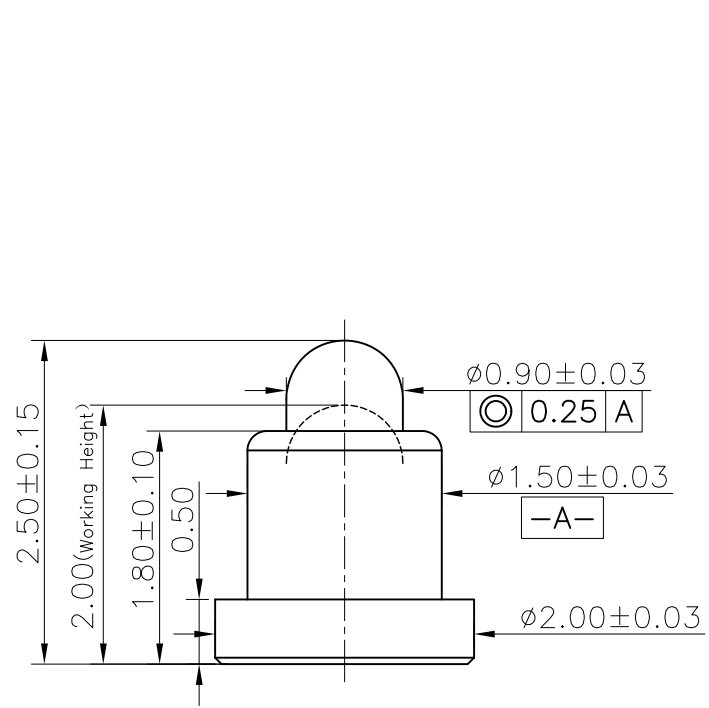


REV.	ECN NO.	Revision record	Date

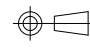


Recommended PCB Layout

Notes:

- 1 Mechanical performance  
Working Height Force: 50±20gf  
Durability:10000 Cycles
- 2 Electrical performance  
Current rating: 1A  
Voltage rating: 12VAC/DC  
Dynamic Resistance:50mOhm Max.
- 3 Environmental performance  
RoHS & HF compliant.  
Salt Spray: 48h Min  
Operating Temperature range: -40°C~+85°C
- 4 Packaging:  
Carrier tape

4	Cap	1	High temp Plast UL94 V-0	Black
3	Body	1	Leaded Brass	Au plating 3u" min over Ni plating 50-100u" min
2	Plunger	1	Leaded Brass	Au plating 3u" min over Ni plating 50-100u" min
1	Spring	1	Stainless steel wire	-----
Item	Part Name	Q'TY	Material	Finish

UNLESS OTHERWISE SPECIFIED DIMENSION ARE IN MILLIMETERS TOLERANCE ARE : FRACTION DECIMALS ANGLES		<b>Shenzhen Chunni Electronics Co. Ltd.</b>		
.X ±0.15 .XX ±0.10 .XXX ±0.05	X' ±2.0' .X' ±1.5' .XX' ±1.0'	DRAWN	Tony	Title: Pogo PIN
		CHECKED	Tony	Part NO: CNH15025-0129
		Scale: 1:1	APPROVED	Customer NO: SV06
		Unit: mm	CONFIDENTIAL	Page: 1/1    Rev: 01