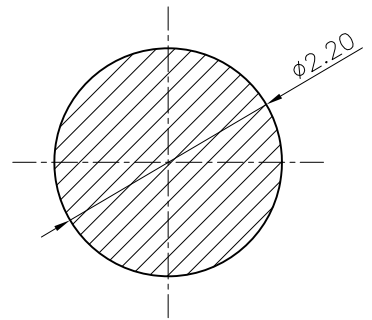
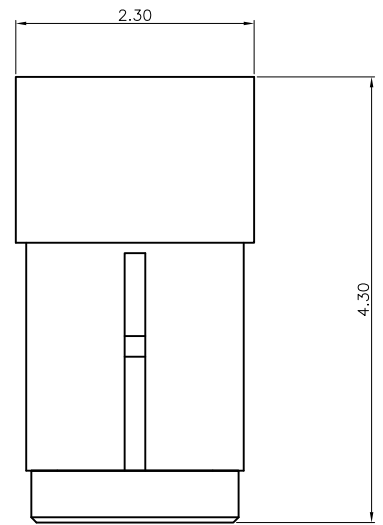
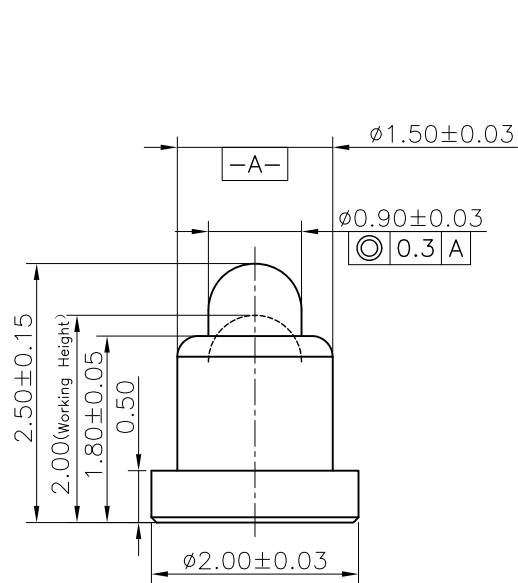


REV.	ECN NO.	Revision record	Date



Recommended PCB Layout

Notes:
 1 Mechanical performance
 Working Height Force: 70±15gf
 Durability:10000 Cycles
 2 Electrical performance
 Current rating: 1A
 Voltage rating: 12VAC/DC
 Dynamic Resistance:100mOhm Max.
 3 Environmental performance
 RoHS & HF compliant.
 Salt Spray: 96h Min
 Operating Temperature range: -40°C~+85°C
 4 Packaging:
 Carrier tape

4	Cap	1	High temp Plast UL94 V-0	Black
3	Body	1	Leaded-free-Brass	Au plating 5u" min over Ni plating 50-100u" min
2	Plunger	1	Leaded-free-Brass	Au plating 5u" min over Ni plating 50-100u" min
1	Spring	1	Stainless steel wire	-----
Item	Part Name	Q'TY	Material	Finish

UNLESS OTHERWISE SPECIFIED DIMENSION ARE IN MILLIMETERS TOLERANCE ARE : FRACTION DECIMALS ANGLES

Shenzhen Chunni Electronics Co. Ltd.

.X ±0.15 .XX ±0.10 .XXX ±0.05	X' ±2.0' .X' ±1.5' .XX' ±1.0'	DRAWN	Tony	Title:	Pogo PIN
		CHECKED	Tony	Part NO:	CNH15025-0101
		APPROVED		Customer NO:	BT 1210
	Scale: 1:1	CONFIDENTIAL		Page:	1/1
	Unit: mm			Rev:	01